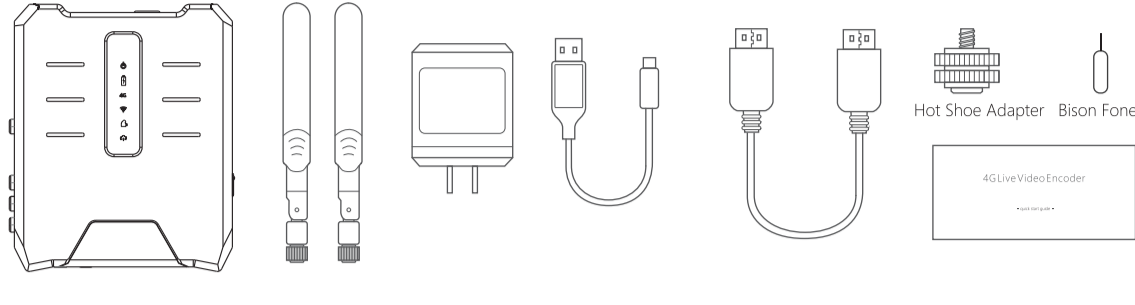


# 4GLive Video Encoder

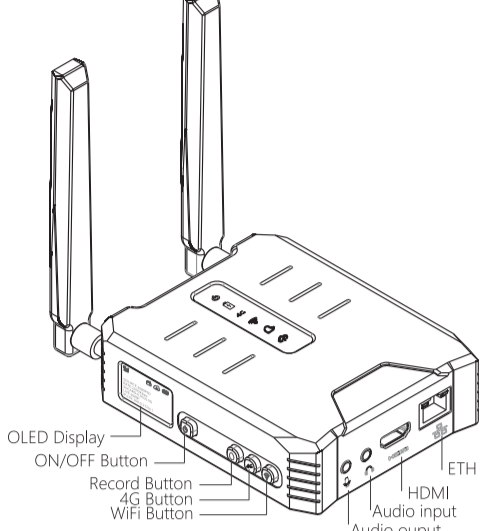
- quick start guide -

## 01 Parts List



4G Video Encoder    4G/WiFi Antenna    Charger/Charging Line    HDMI Video Adapter Cable    Quick Start

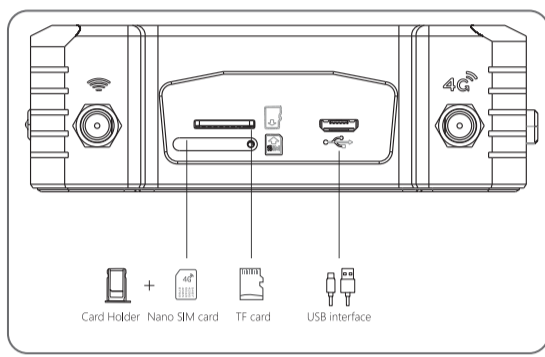
## Interface Description



OLED Display    ON/OFF Button    Record Button    4G Button    WiFi Button    HDMI    ETH    Audio input    Audio output

Please Insert Micro SIM Card correctly.  
 ⚠ Don't use nano SIM card with card holder.  
 • Note: Please use Class10 TF card or above.

## 03 Insert Card



Card Holder    Nano SIM card    TF card    USB interface

• insert the Nano SIM card correctly ( see left )

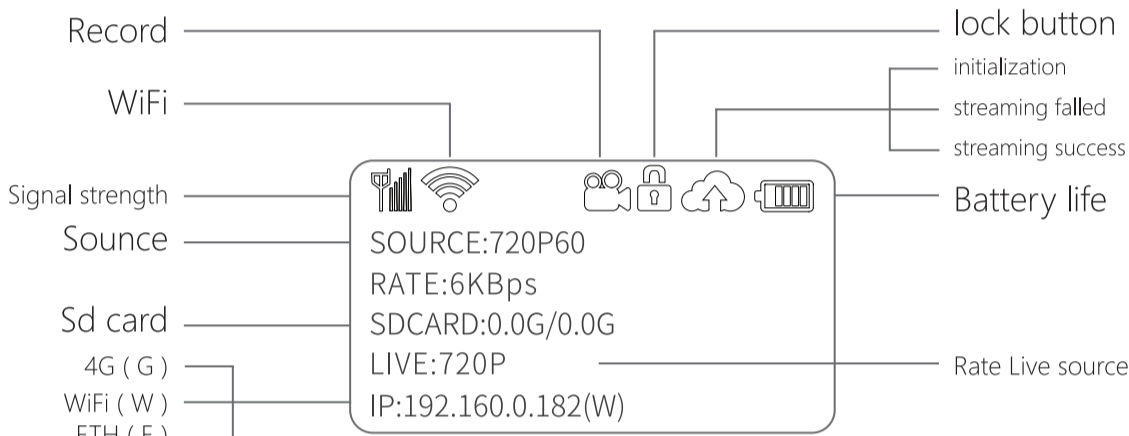


Card Holder    Nano SIM Card

• please remove with Sim Card Tray Eject pin



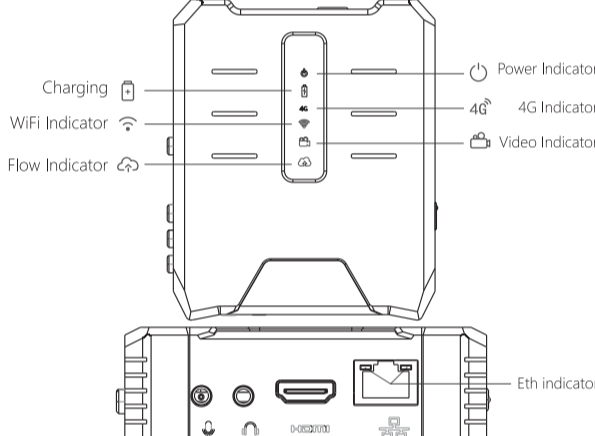
## 04 Install The Antenna



Record    WiFi    Signal strength    Source    Sd card    4G ( G )    WiFi ( W )    ETH ( E )    lock button    initialization    streaming failed    streaming success    Battery life    Rate Live source

## 05 Indicator

Indicator	Bright	Flicker	
		Quickly	Slowly
Power Indicator	ON		Low Battery
Charging	Red(charging)		
	Green(full)		
4G Indicator	Connected		Connecting
Wifi Indicator	Connected	AP Mode	Connecting (connect failure)
Video Indicator	Recording		
Flow Indicator	Initialized Successfully	Start Streaming	Streaming Failure
ETH indicator (yellow)	data connection	Ten trillion Ethernet	
ETH indicator (Green)		Million Ethernet	



Charging    WiFi Indicator    Flow Indicator    Power Indicator    4G    4G Indicator    Video Indicator    Eth indicator

## 06 Usage

### 1.Download APP

- IOS : Download "M Live" From APP Store.
- Android : You can download "M Live" from Application Market.

⚠ Note: Mobile phone system requires Android 5.0 or above or IOS 8.0 or above.

### 2.Bind A New Device

Open M Live App, login with your own account,click "+" at the right upper corner, scan the QR code at the bottom of the device, bind and connect to the device.

Note : One device can only be bound by one user.

### 3.Start The Device

Power on, and then wait until the green flow indicator light is on.

### 4.Connect Device To The Network

- 4G Network :
  - 1.Insert 4G SIM card into the machine (as shown above).
  - 2.Restart the machine, wait until the green flow indicator light on.
  - 3.Click the 4G button and the 4G Indicator start to flicker.
  - 4.When the 4G network is successfully connected,the 4G Indicator will stop flickering and will be on all the time.
- WiFi Network:
  - 1.Press the "WiFi" Key > 3 seconds and you can see the WiFi Indicator start to Flicker quickly.Now you can scan a new AP named "CastProAP\_xxx" with your mobile phone.

### 2.App To Connect To The new AP

Open the M Live app, click on"WiFi Settings", select "Change to device AP", find CastProAP\_xxx in the available network and select CastProAP\_xxx as current network.

3.Back to M Live APP, click "Next" to make the M Live App connect to the M Live device. Click on "configure device WiFi",you can get the WiFi AP list nearby.Select the AP you want to connect to, enter the password and click "connect",you can see the WiFi Indicator flicker more slowly.

When the WiFi Indicator is on without flickering,it means that the device is connected to the WiFi network.If the WiFi Indicator is flickering slowly all the time,please repeat the procedure(Suppose configuration failure happened).

### 5.Start Streaming

Once the device has been connected to the network successfully, you can find the device status change to "Online". Click the RTMP settings, select one of the third-party platforms, fill in the RTMP URL and stream name, and then click the "Start Streaming".

## 07 More Help

### Unbind The Device

Open M Live App, login with your own account, click "unbind".

⚠ Unbind : Press the "4G" Key > 5 seconds, you can hear three beep ,then Click the"video"button.if unbinding successfully, you'll hear one beep.if failure,double beep.

### Device Upgrade

- Online Upgrade
  - 1.The device connected to the network
  - 2.Open M Live App
  - 3.Jump the page of Other Setting
  - 4.Click device upgrade

### Offline Upgrade:

- 1.Copy the upgrade file to TF card.
- 2.Press the "record" Key and "on/off"Key.
- 3.The device indicate will on.Waiting device reboot.

Note:TF card just support 64G or less and FAT 32format.

### Device SN



## 08 Product Parameters

Name	Video Encoder
video input	HDMI / SDI
Video Encoder	H.264 / H.265
Audio Encoder	AAC (48K)
Audio Sampling Frequency	32kHz、44.1kHz、48kHz 16-bit
Video Resolution	1080p (24/25/30/50/60fps)
	1080i (50/60fps) 720p (24/25/30/50/60/120fps)
Live Video Resolution	1920*1080、1280*720、960*540、
	848*480、640*360、480*270

Power Input	DC 5V 2A , micro-USB
Battery Capacity	4000mAh
Internet	4G / WiFi / E H
Media Transfer Protocol	RTMP / RTSP
TF Card	128G Max
Power Consumption	4W Max
Weight	386g
Working Temperature	5°C~40°C
Working Humidity	15%~85% No Frozen
Storage Temp	0°C~45°C

## Terms of Warranty Policy

### Warranty Period

- We offers 12 month warranty on all M Live hardwares. This warranty applies to all M Live new devices sold and not to any used devices or replacement devices supplied under warranty or provided on loan.

### Limitation

- We are not responsible for extended warranty, or without invoice or receipt issued, excluding those who can prove to be covered by warranty.
- Damage due to operator's misuse including water infusion, physical damaging, PCB burn-out are not covered by this Warranty Policy.

### Warranty Card

Name \_\_\_\_\_  
 Phone \_\_\_\_\_  
 Postcode \_\_\_\_\_  
 Address \_\_\_\_\_

Device Type \_\_\_\_\_  
 Device SN \_\_\_\_\_  
 Purchasing Date \_\_\_\_\_  
 Servicing Time \_\_\_\_\_  
 Cause Of Issue \_\_\_\_\_

Submit The Date \_\_\_\_\_  
 Date Of Inspection \_\_\_\_\_

Maintenance Engineer Signed

Maintenance Department Stamp

